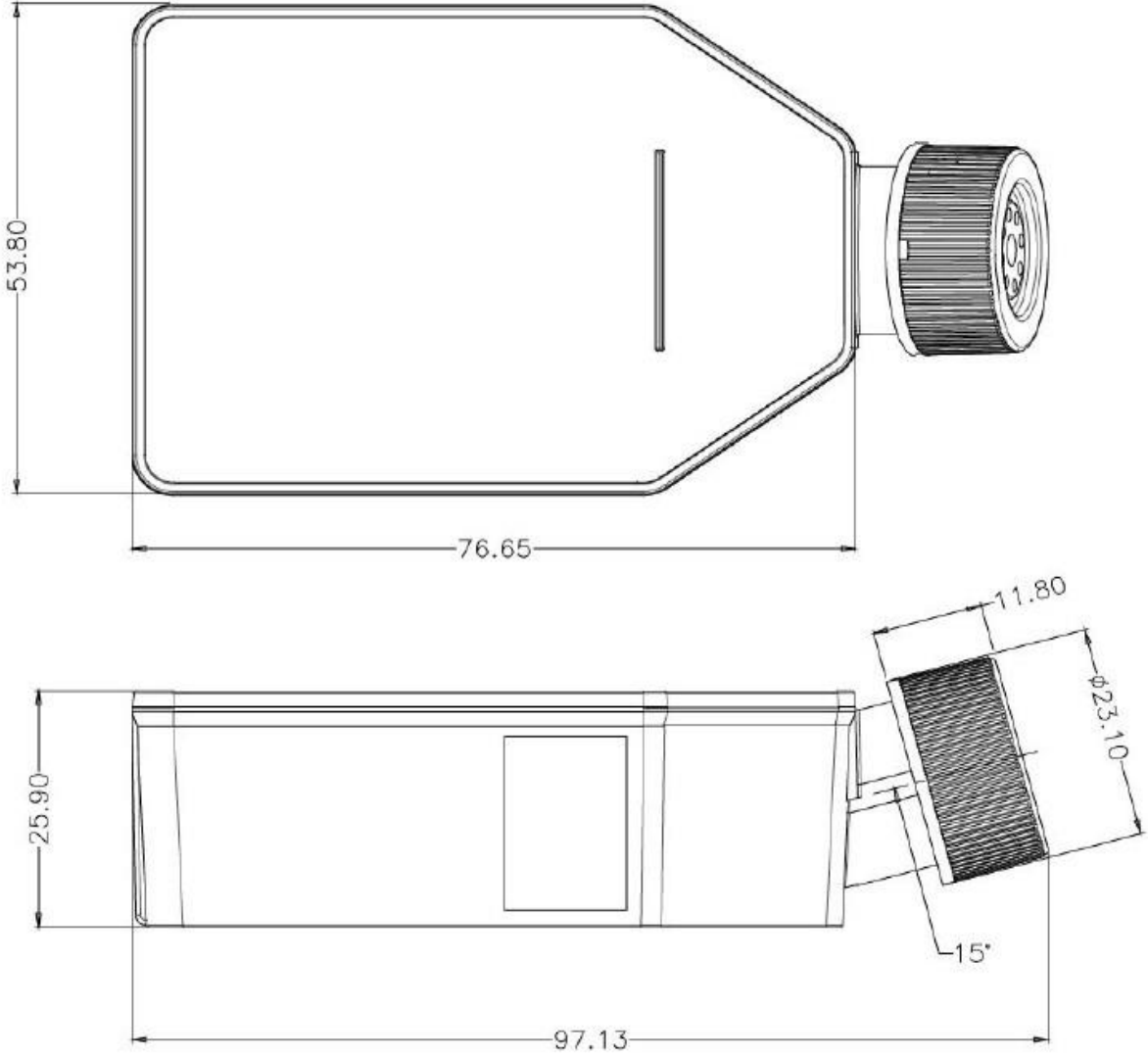
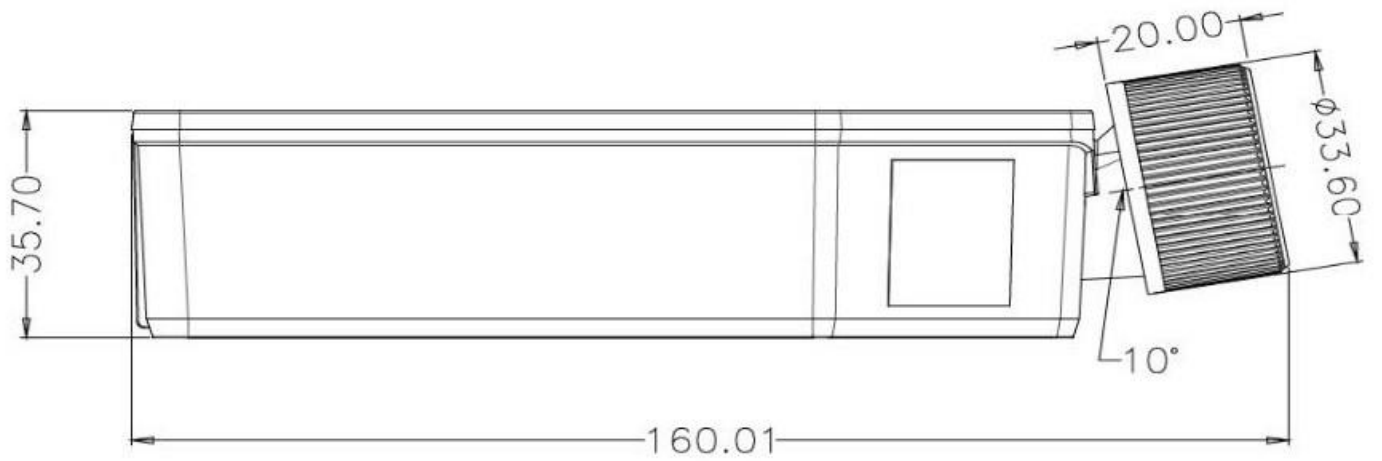
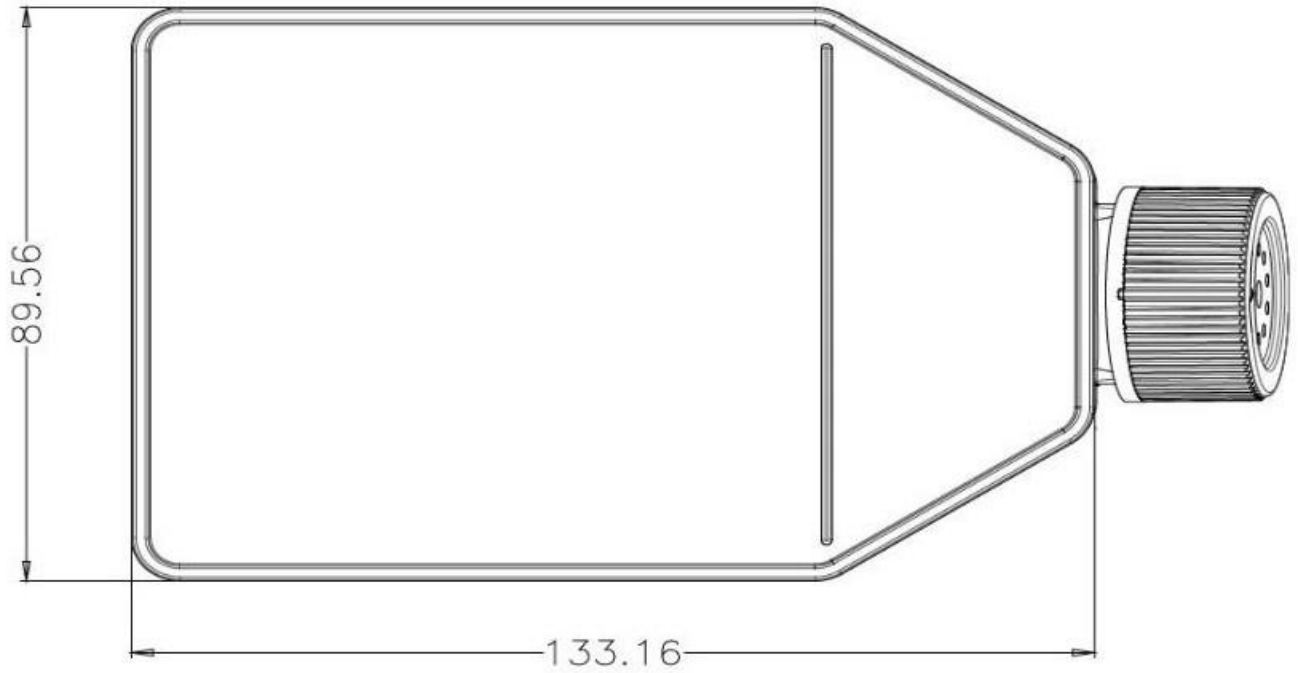


Technical Drawing

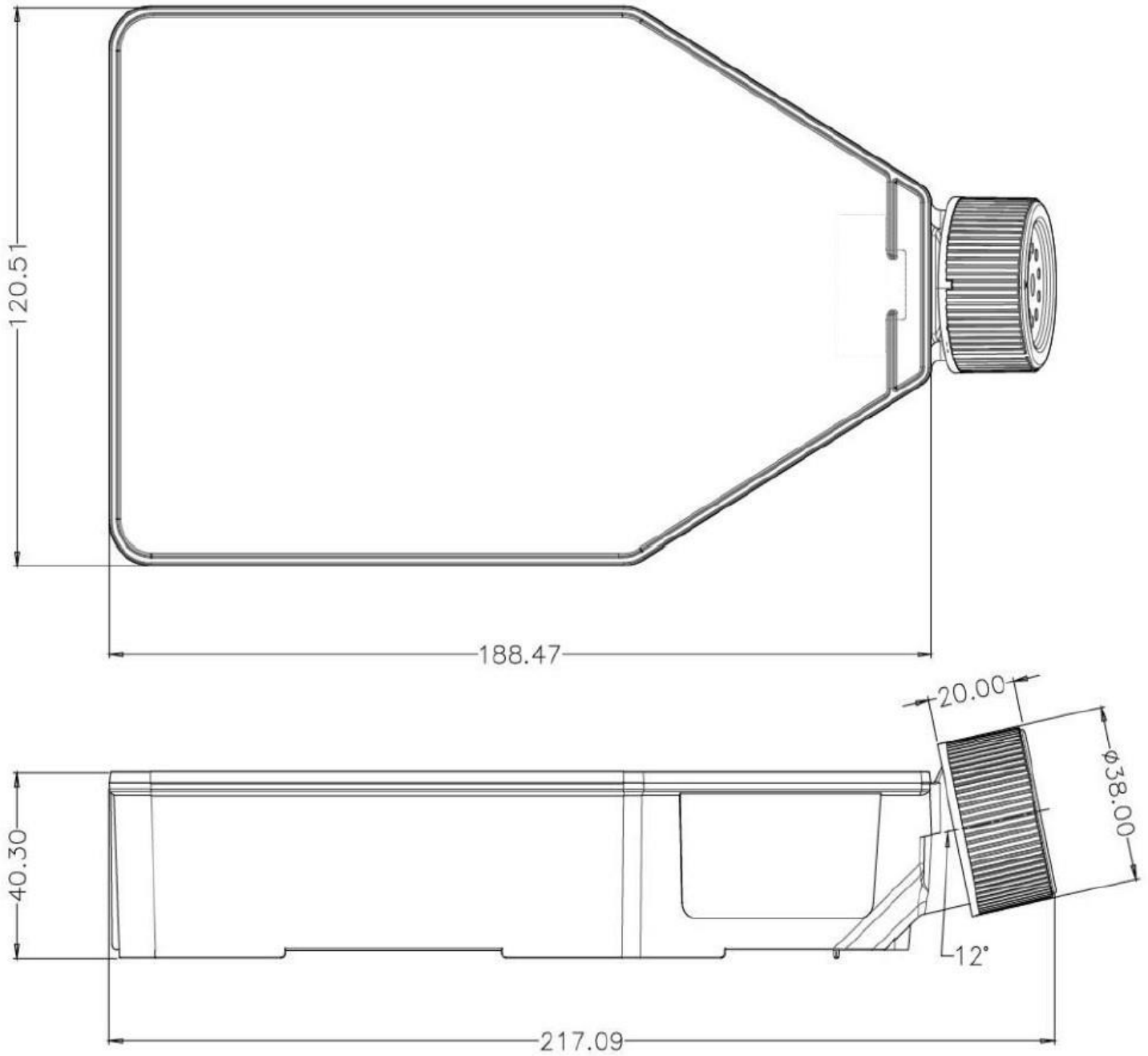
T25 cell culture flask



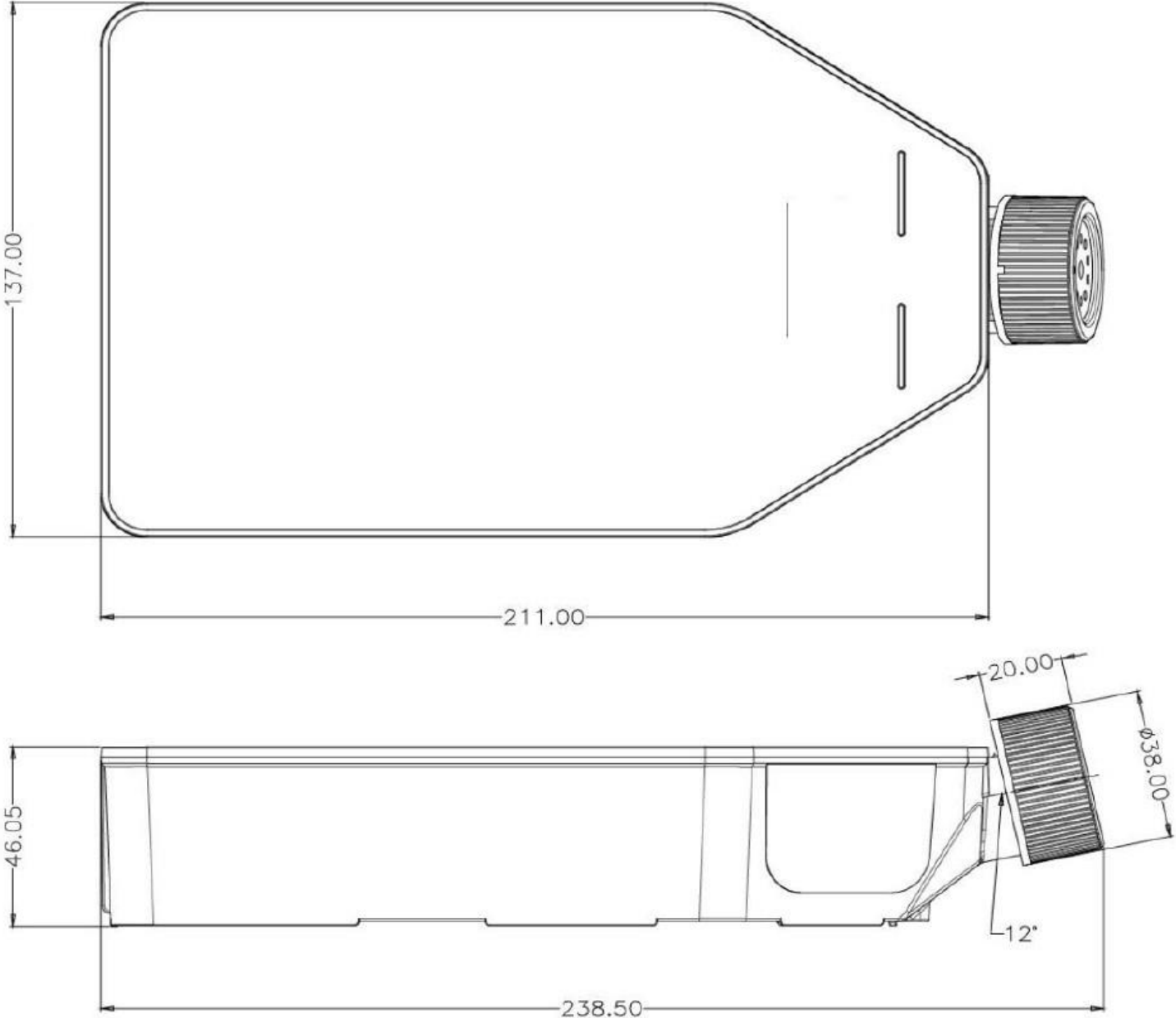
T75 cell culture flask



T175 cell culture flask



T225 cell culture flask



T150 U-Shaped Canted Neck Cell Culture Flask

