

Part Number: FT9010

Description: 10 μ L OneFit Filter Tip, Clear, Sterile

Volume Range: 1-10 μ L

Quantity: 96 Tips/Rack; 10 Racks/Pack; 5 Packs/Case

Packaging: Racked

Graduations: 1 μ L, 5 μ L, 10 μ L

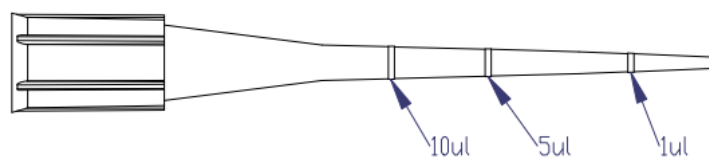
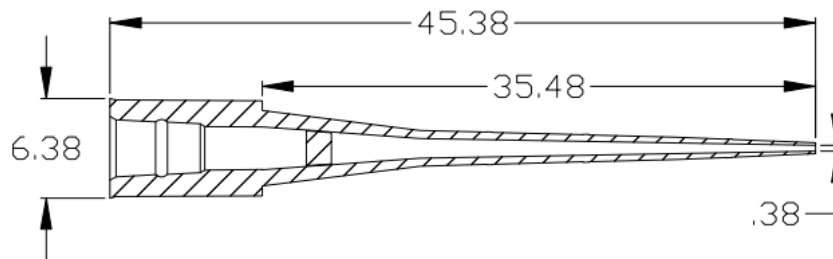
Primary Material: Polypropylene #5

Certifications:

- Non-Pyrogenic
- USP Class VI material
- Human DNA free
- PCR Inhibition

Features:

- Universal fit tip
- Easy eject tip due to unique OneFit design



Part Number: FT9200

Description: 200 μ L OneFit Filter Tip, Clear, Sterile

Volume Range: 1-200 μ L

Quantity: 96 Tips/Rack; 10 Racks/Pack; 5 Packs/Case

Packaging: Racked

Graduations: 10 μ L, 50 μ L, 100 μ L

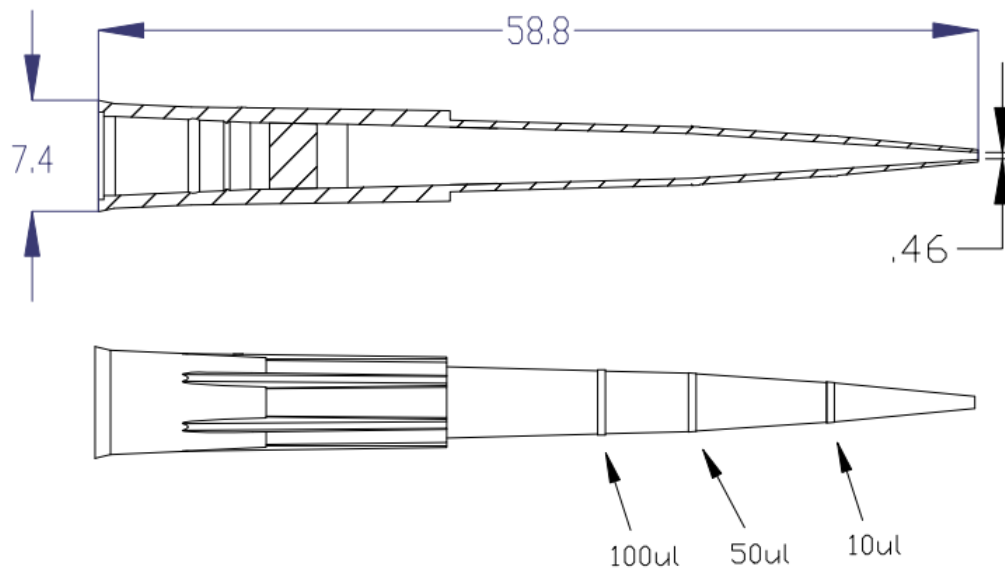
Primary Material: Polypropylene #5

Certifications:

- Non-Pyrogenic
- USP Class VI material
- Human DNA free
- PCR Inhibition

Features:

- Universal fit tip
- Easy eject tip due to unique OneFit design



Part Number: FT91000

Description: 1000µL OneFit Filter Tip, Clear, Sterile

Volume Range: 1-1000µL

Quantity: 96 Tips/Rack; 8 Racks/Pack; 5 Packs/Case

Packaging: Racked

Graduations: 200µL, 500µL, 1000µL

Primary Material: Polypropylene #5

Certifications:

- Non-Pyrogenic
- USP Class VI material
- Human DNA free
- PCR Inhibition

Features:

- Universal fit tip
- Easy eject tip due to unique OneFit design

