

Part Number: FT4100

Customer Description: 100 μ L Filter Tip, Clear, Sterile, Low Binding

Volume Range: 1-100 μ L

Quantity: 96 Tips/Rack; 10 Racks/Pack; 5 Packs/Case

Packaging: Racked

Graduations: 10 μ L, 50 μ L, 100 μ L, 150 μ L

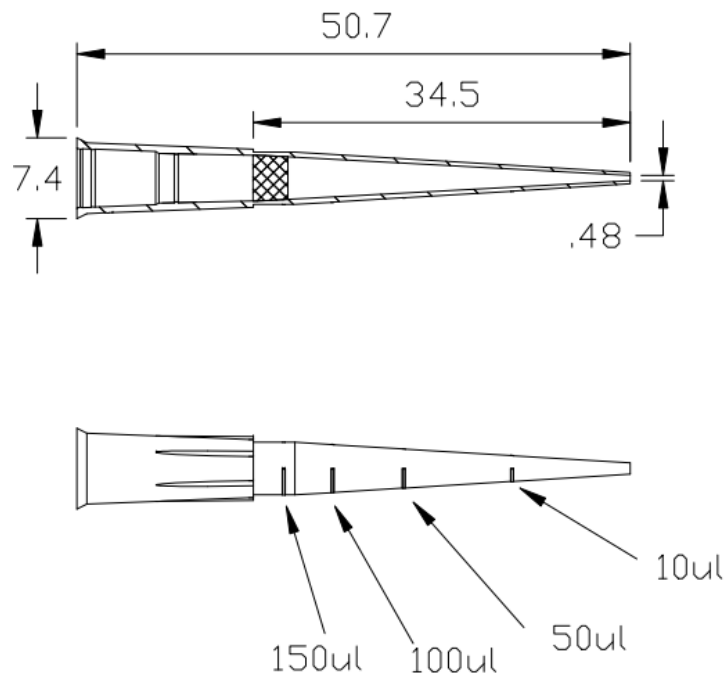
Primary Material: Polypropylene #5

Certifications:

- Non-Pyrogenic
- USP Class VI material
- Human DNA free
- PCR Inhibition

Features:

- Universal fit tip



Part Number: FT4200

Description: 200 μ L Filter Tip, Clear, Sterile, Low Binding

Volume Range: 1-200 μ L

Quantity: 96 Tips/Rack; 10 Racks/Pack; 5 Packs/Case

Packaging: Racked

Graduations: 10 μ L, 50 μ L, 100 μ L, 150 μ L

Primary Material: Polypropylene #5

Certifications:

- Non-Pyrogenic
- USP Class VI material
- Human DNA free
- PCR Inhibition

Features:

- Universal fit tip

