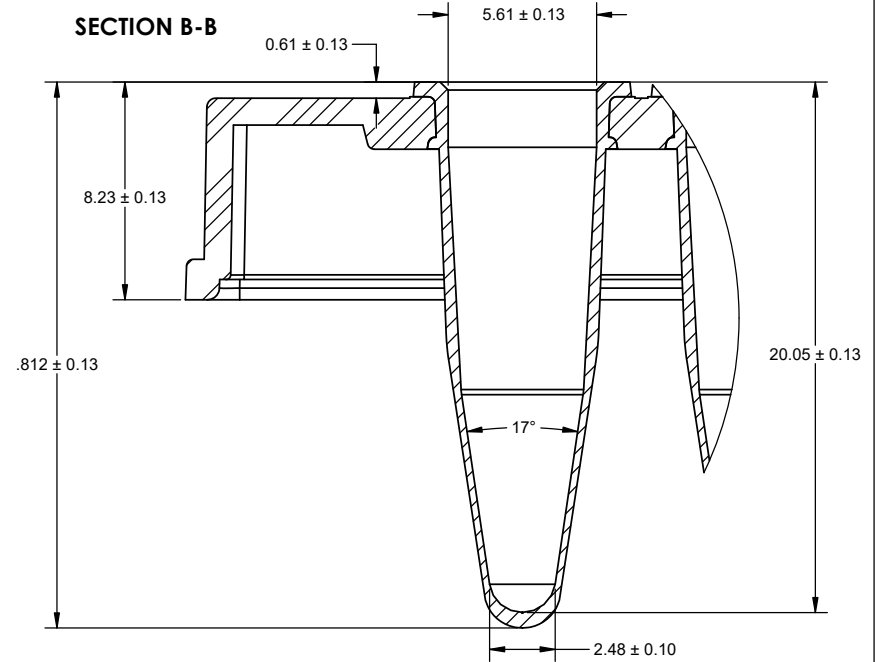
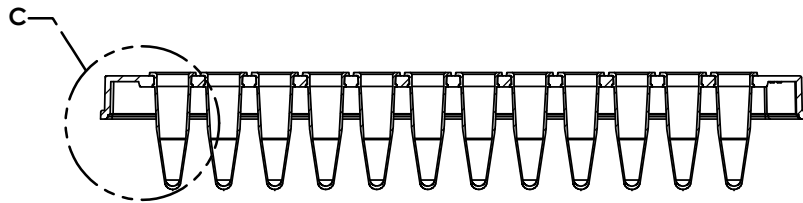


SECTION B-B



DETAIL C  
SCALE: 7 : 1



SECTION A-A



TITLE:  
96-Well Rigid™ PCR Plate, Semi-Skirted

UNLESS OTHERWISE SPECIFIED  
DIMENSIONS ARE IN MILLIMETERS

ITEM:

REV.:  
REL

DATE:  
8/16/2023