

Part Number: RT1010

Description: 10 μ L Pipette Tip, Clear, Non-Sterile

Volume Range: 1-10 μ L

Quantity: 96 Tips/Deck; 10 Decks/Pack; 4 Packs/Case

Packaging: Reload System

Graduations: 2 μ L, 5 μ L, 10 μ L

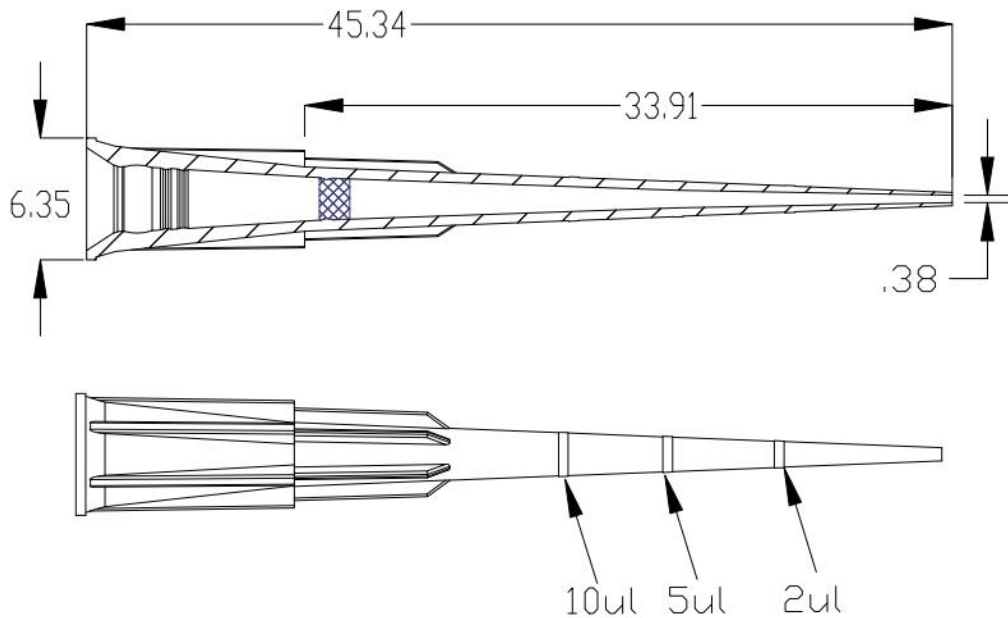
Primary Material: Polypropylene #5

Certifications:

- Non-Pyrogenic
- USP Class VI material
- Human DNA free
- PCR Inhibition

Features:

- Universal fit tip



Part Number: RT1200

Description: 200µL Pipette Tip, Clear, Non-Sterile

Volume Range: 1-200µL

Quantity: 96 Tips/Deck; 10 Decks/Pack; 4 Packs/Case

Packaging: Reload System

Graduations: 10µL, 50µL, 100µL

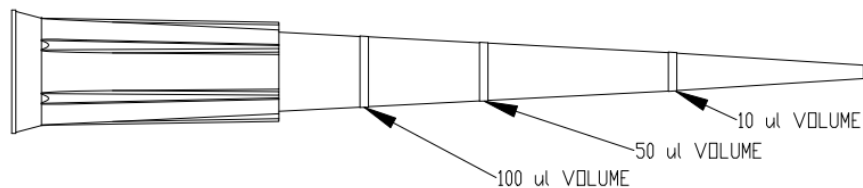
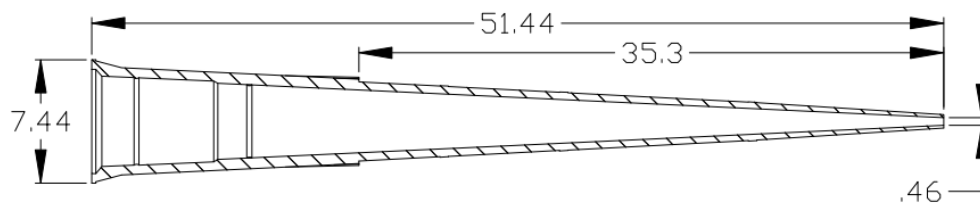
Primary Material: Polypropylene #5

Certifications:

- Non-Pyrogenic
- USP Class VI material
- Human DNA free
- PCR Inhibition

Features:

- Universal fit tip



Part Number: RT1250

Description: 1250µL Pipette Tip, Clear, Non-Sterile

Volume Range: 1-1250µL

Quantity: 96 Tips/Deck; 8 Decks/Pack; 4 Packs/Case

Packaging: Reload System

Graduations: 200µL, 500µL, 1000µL

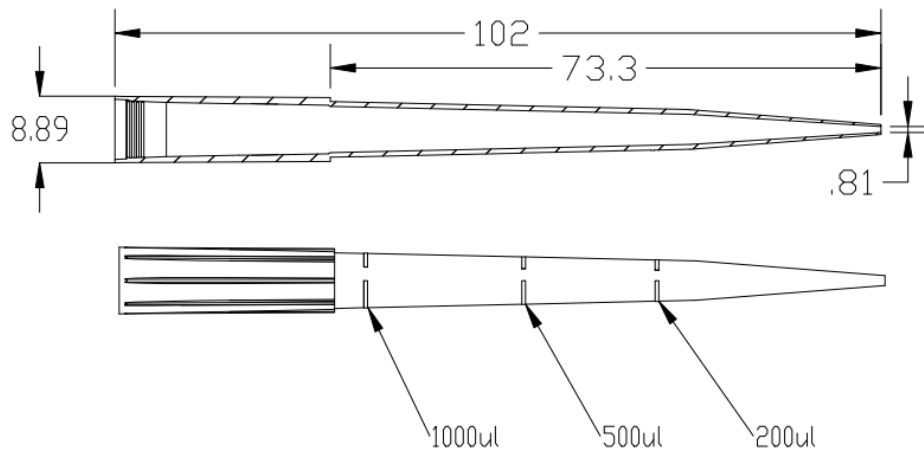
Primary Material: Polypropylene #5

Certifications:

- Non-Pyrogenic
- USP Class VI material
- Human DNA free
- PCR Inhibition

Features:

- Universal fit tip



Part Number: RT1300

Description: 300 μ L Pipette Tip, Clear, Non-Sterile

Volume Range: 1-300 μ L

Quantity: 96 Tips/Deck; 10 Decks/Pack; 4 Packs/Case

Packaging: Reload System

Graduations: 10 μ L, 50 μ L, 100 μ L

Primary Material: Polypropylene #5

Certifications:

- Non-Pyrogenic
- USP Class VI material
- Human DNA free
- PCR Inhibition

Features:

- Universal fit tip

